



CAT. NOS. 2706-NC12, 2706-NC13, 2706-NC14, 2706-NC15 DATALINER DL5 AND DL40 SERIES PROGRAMMING CABLES INSTRUCTION SHEET

DESCRIPTION: Catalog Number 2706-NC12, 2706-NC13, 2706-NC14, or 2706-NC15 programming cables are used to connect a terminal or computer to the Bulletin 2706 Dataliner message displays.

The 2706-NC15 cable connects an Allen-Bradley Industrial Terminal (1770-T1 thru 1770-T4) or most DTE Type dumb terminals to the DL5 display.

The 2706-NC12 cable connects a DEC VT52, VT100, or VT101 terminal, an IBM XT or compatible computer, or an Allen-Bradley 1745-T45 terminal to a Dataliner display (See Figure 1 or 2).

The 2706-NC13 cable connects an IBM AT or compatible computer, an Allen-Bradley 6121 Industrial PC/AT, or 1745-T50 terminal to a Dataliner (See Figure 2).

The 2706-NC14 cable connects an Allen-Bradley 6120 Industrial PC/XT to a Dataliner display (See Figure 2).

- CONNECTION:**
1. Disconnect power to the Dataliner display.
 2. Connect the appropriate D-shell connector of the cable to the RS232 port on the Dataliner.
 3. Connect the other D-shell connector of the cable to the programming terminal or computer. This end of the cable will be marked to identify the appropriate terminal. If an Allen-Bradley Industrial terminal is being connected, use "Port B". If a dumb or DEC VT series terminal is being used, connect to the "Main" port. If a computer is being used connect to the serial RS232 Port (COM 1).
 4. Once the cable is connected at both ends, power can be applied to the Dataliner and you can begin programming as described in the DL5 or DL40 User's Manual or Offline Programmer Software Manual.

NOTE: The baud rate of the terminal or computer serial port must match that of the Dataliner display. The DL5 and DL40 are shipped with a baud rate of 9600 baud.

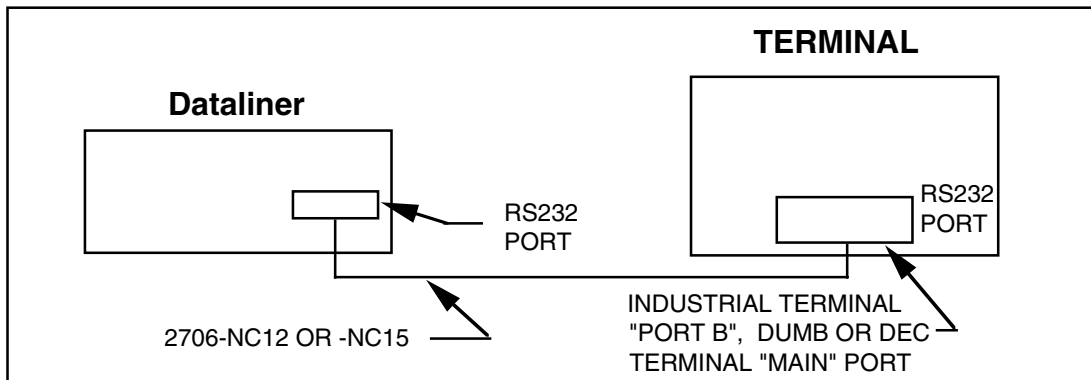


FIG. 1

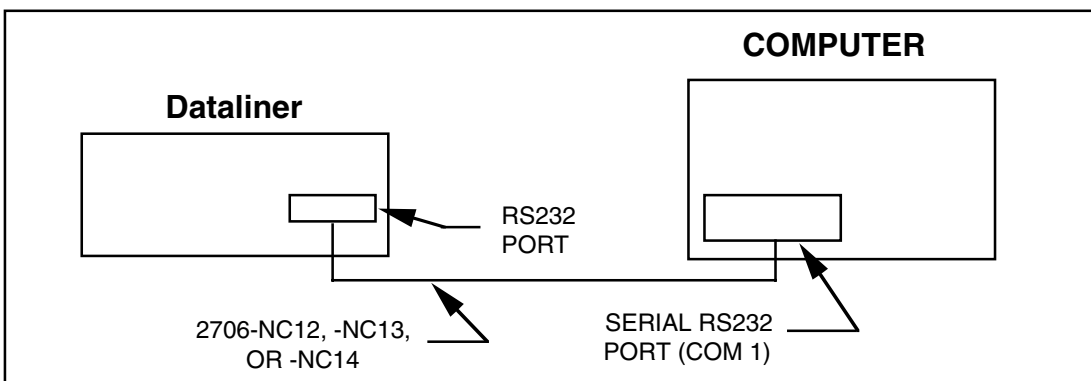


FIG. 2