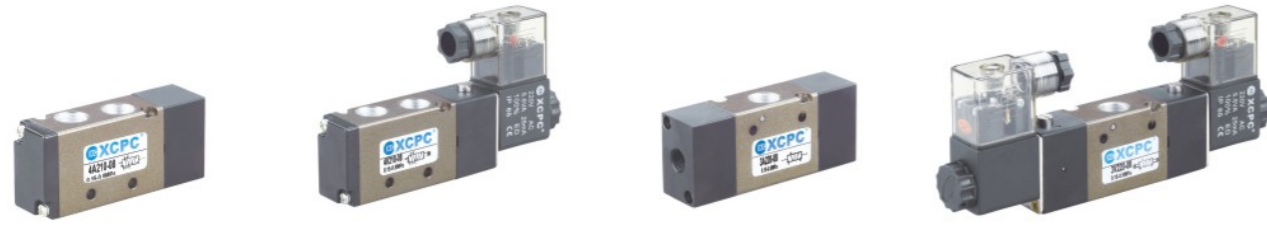


**4V、3V200 Series Solenoid Valve,4A、3A 200 Series Pneumatic Control Valve**

**4V、3V200 Series Solenoid Valve,4A、3A200 Series Pneumatic Control Valve**



4A210-08

4V210-08

3A220-08

3V220-08

Ordering Code

**4V** **2** **10** **08** **AC220V**

**Specification Code**  
4V:Two(Three)-position Five-way Solenoid Valve  
4A:Two(Three)-position Five-way pneumatic control valve  
3V:Two-position Three-way Solenoid Valve  
3A:Two-position Three-way Pneumatic Control Valve

**Series Code**  
200 Series

**Coil and Places**  
10:Single-head double-position  
20:Double-head double-position  
30C:Double-head Three-position Close Type  
30E:Double-head Three-position Exhaust Type  
30P:Double-head Three-position Pressure Type

**Port Size**  
06:G1/8"  
08:G1/4"

**Port connection and Initial State**  
NC:Two-position Three-way Normal Close Type  
NO:Two-position Three-way Normal Open Type

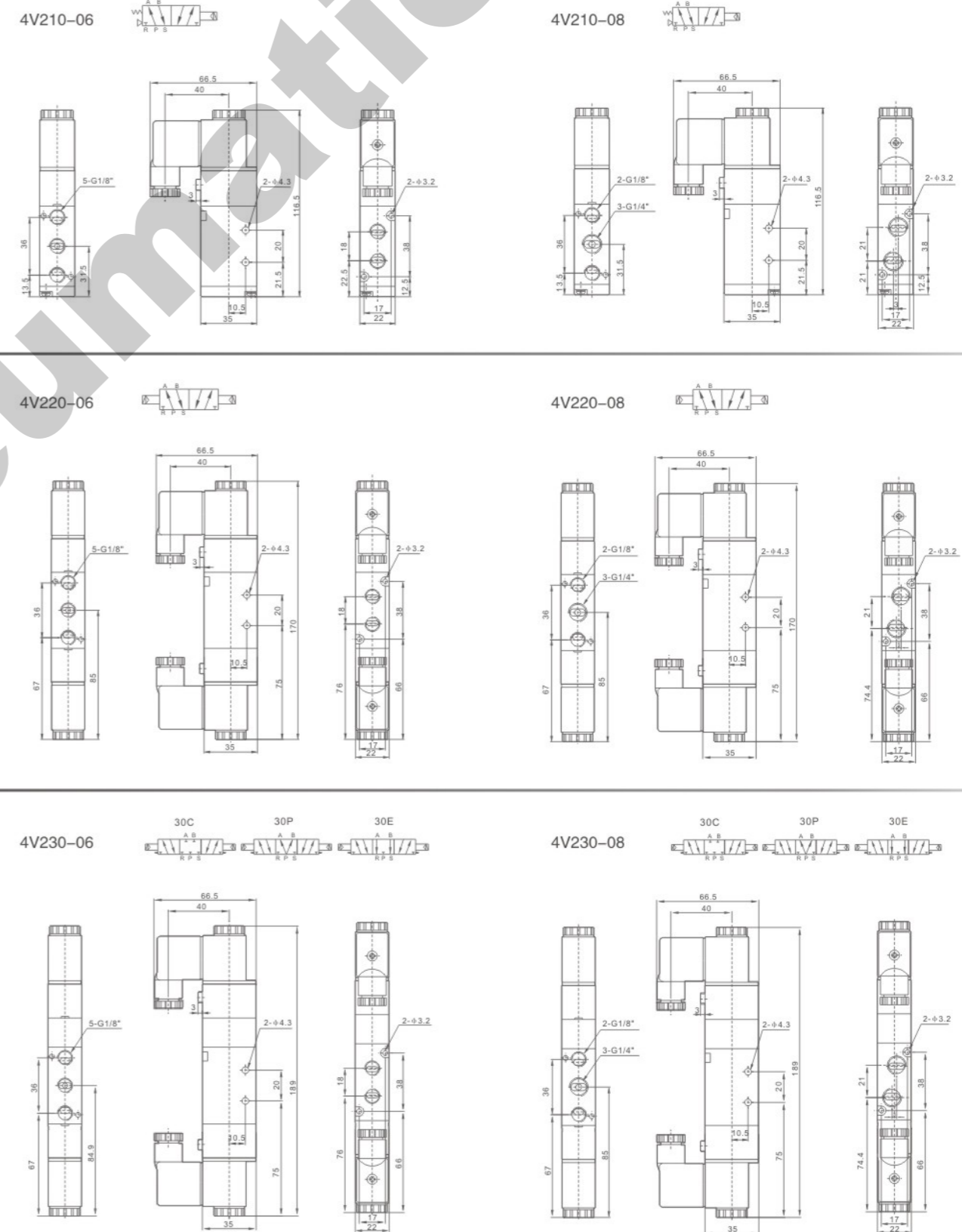
**Standard Voltage**  
DC12V  
DC24V  
AC24V 50Hz/60Hz  
AC110V 50Hz/60Hz  
AC220V 50Hz/60Hz  
AC380V 50Hz/60Hz

**Wiring Form**  
Blank:Standard Connector  
LD:Brown With Lighting Connector  
LD1:White With Lighting Connector  
W:Lead Wire Type

Specification

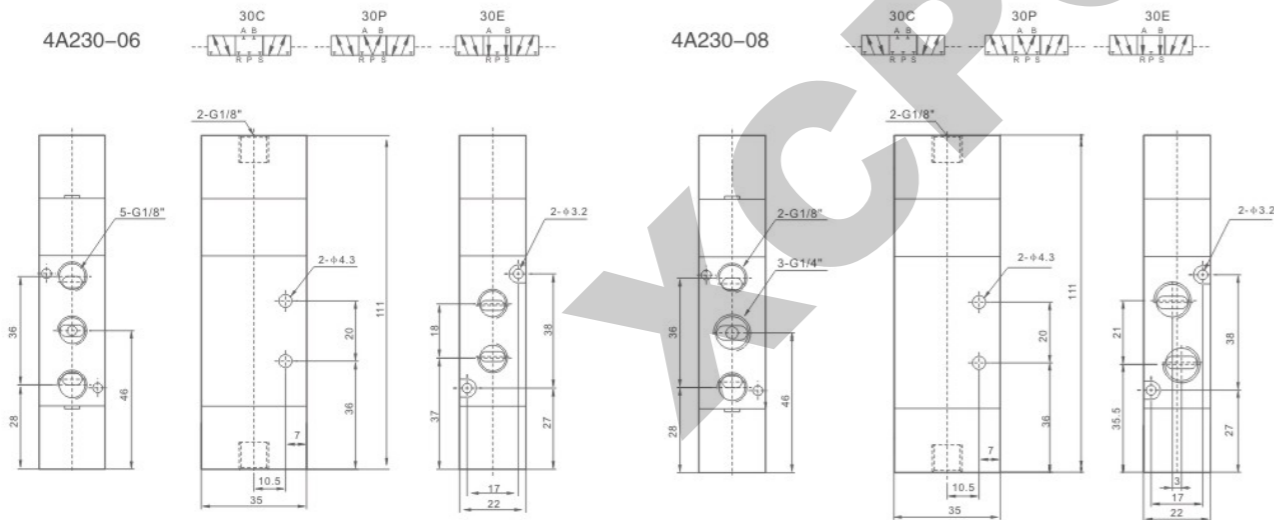
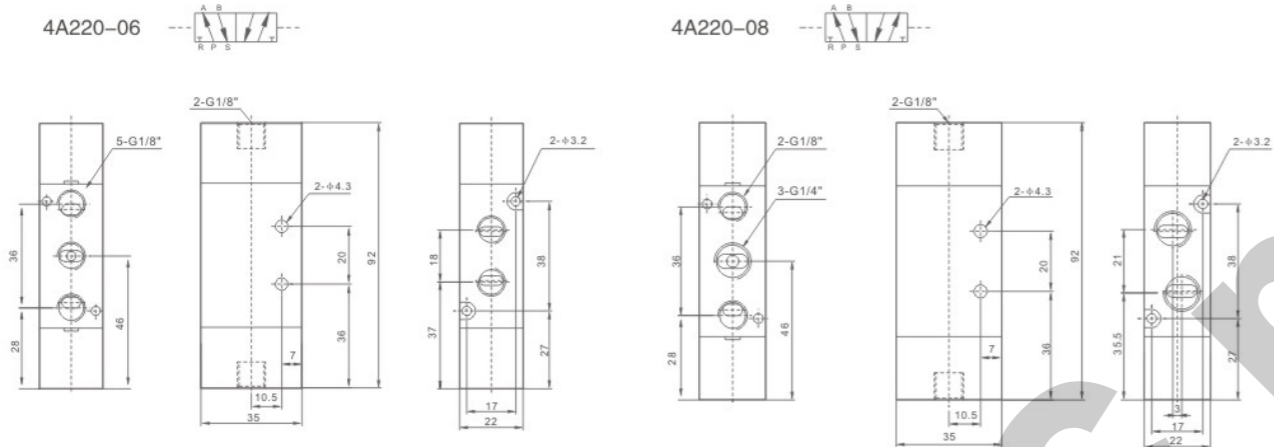
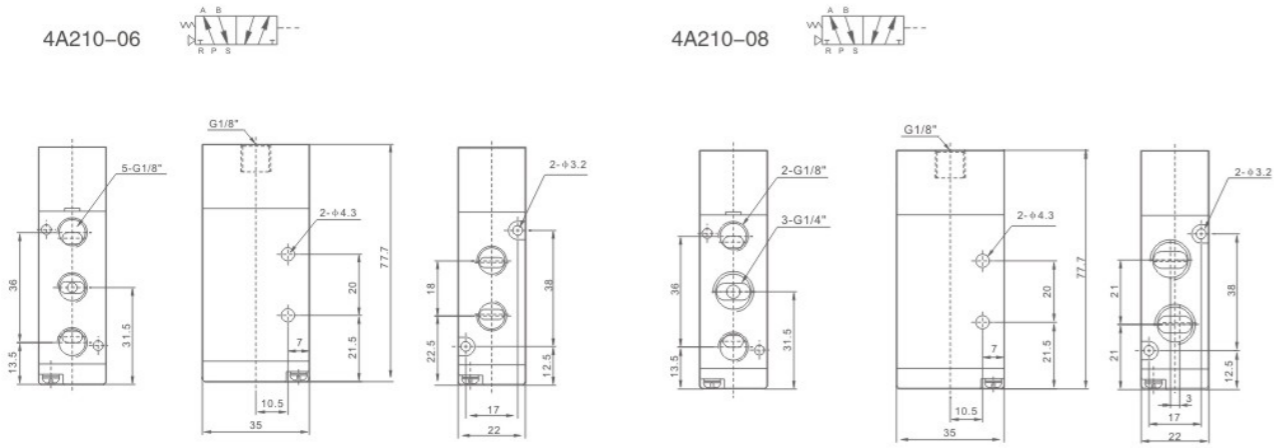
Model	4V210-06	4V220-06	4V230C-06	4V230E-06	4V230P-06	4V210-08	4V220-08	4V230C-08	4V230E-08	4V230P-08
Position and Way NO.	Two-position Five-way		Three-position Five-way			Two-position Five-way		Three-position Five-way		
Effective Sectional Area	14mm <sup>2</sup> (CV=0.78)		12mm <sup>2</sup> (CV=0.67)			16mm <sup>2</sup> (CV=0.89)		12mm <sup>2</sup> (CV=0.67)		
Model	3V210-06	3V220-06	3A210-06	3A220-06	3V210-08	3V220-08	3A210-08	3A220-08		
Position and Way NO.	Two-position Three-way				Two-position Three-way					
Effective Section Area	14mm <sup>2</sup> (CV=0.78)				16mm <sup>2</sup> (CV=0.89)					
Joint Pipe Bore	Air Inlet=Air Outlet=Exhaust=G1/8"				Air Inlet=Air Outlet 1/4" Exhaust=G1/8"					
Working Medium	40 Micron Filtered Air									
Motion Pattern	Inner Guide Type									
Working-pressure	0.15~0.8 M Pa									
Max. Pressure Resistance	1.2MPa									
Operating Temperature	5~50°C									
Voltage Range	±10%									
Power Consumption	AC: 2.5VA DC: 2.5W									
Insulation & Protection Class	F Class, IP65									
Wiring Form	Lead Wire or Connector type									
Highest Action Frequency	5 Cycle / Sec									
Shortest Excitation Time	0.05 Second									

Overall Dimensions



**4V、3V200 Series Solenoid Valve, 4A、3A 200 Series Pneumatic Control Valve**

Overall Dimensions



**4V、3V200 Series Solenoid Valve, 4A、3A 200 Series Pneumatic Control Valve**

Overall Dimensions

